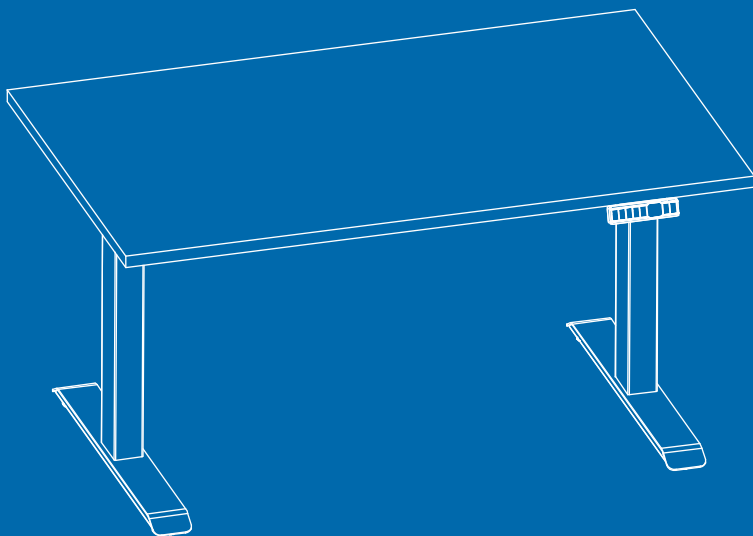


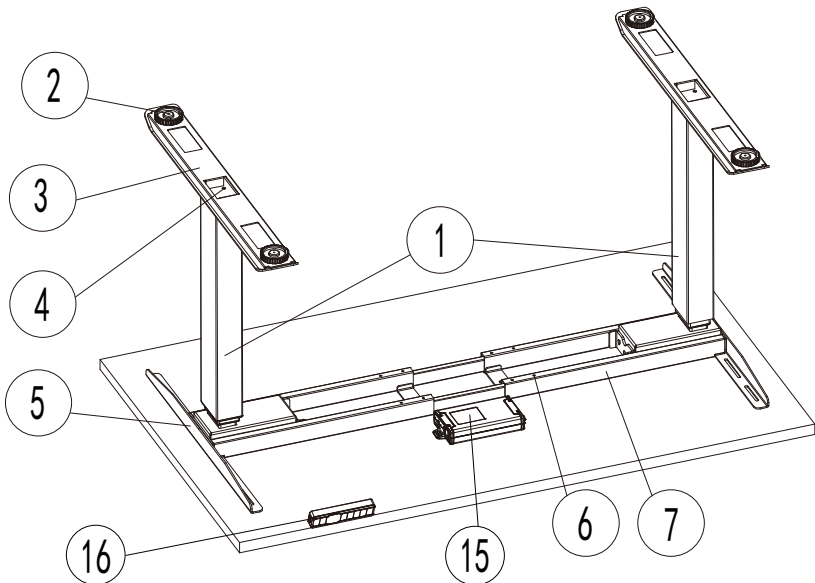
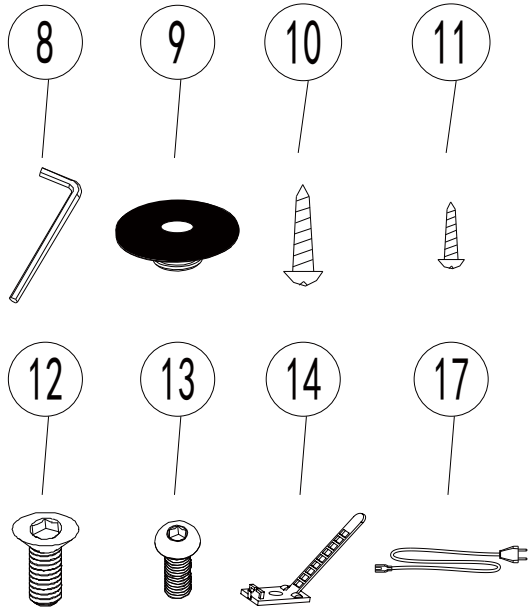
User's manual

Up & Down 2

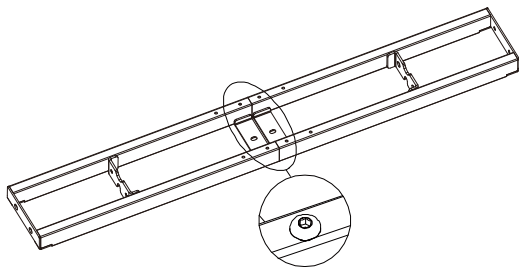


PARTS AND TOOLS LIST

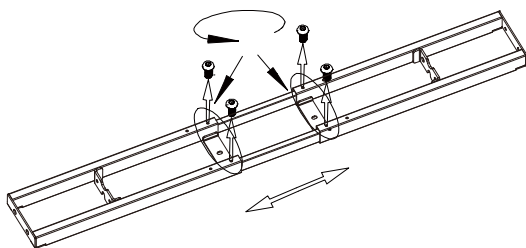
NO	Name	Qty
1	Legs	2
2	Foot Pad	4
3	Foot Margin	2
4	M6*14 Screw	8
5	Bracket	2
6	M6*10 Screw	4
7	Support Beam	1
8	4mm Hex Spanner	1
9	Rubber Cushion	10
10	ST4.8*19 Screw	12
11	ST3.5*19 Screw	7
12	M6*12 Screw	12
13	M6*16 Screw	4
14	Cable Clip	5
15	Control Box	1
16	Handset	1
17	Power Cable	1



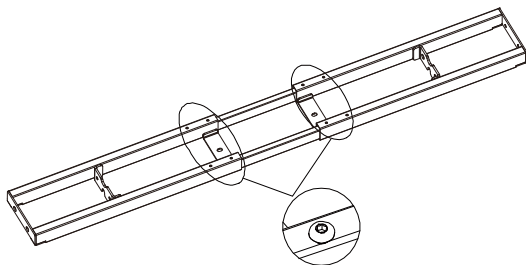
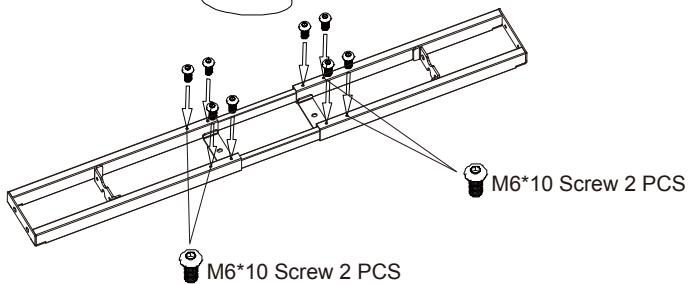
STEP 1



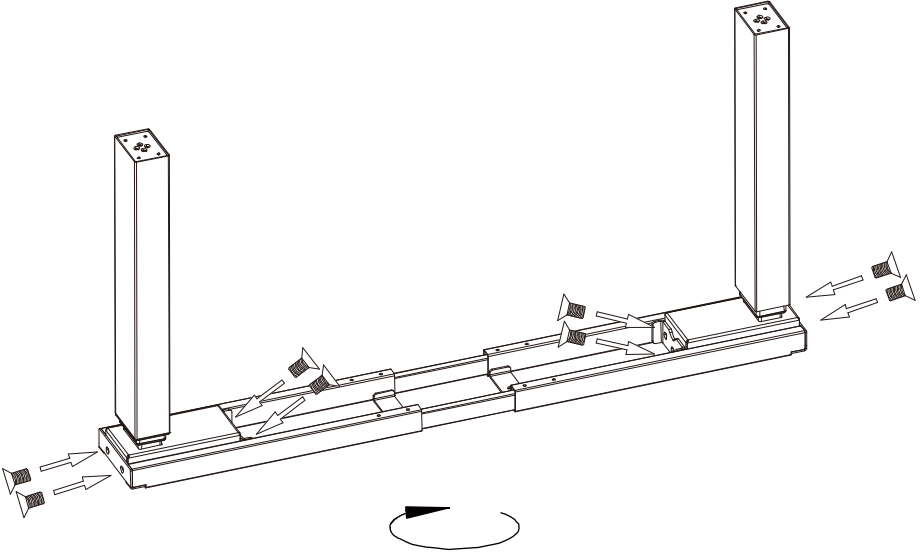
4 MM HEX SPANNER



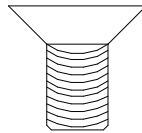
4 MM HEX SPANNER



STEP 2

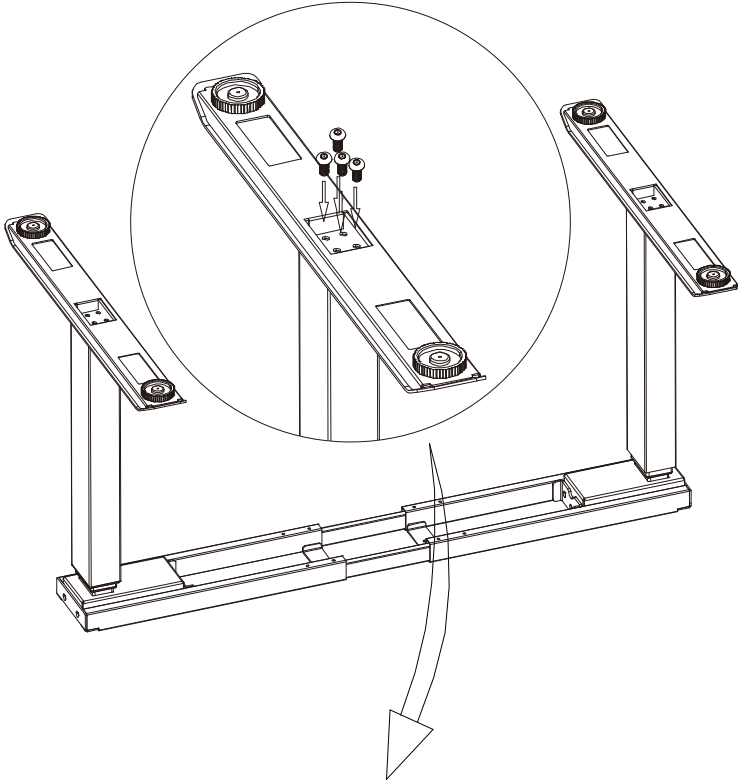


M6*12 SCREW 8PCS

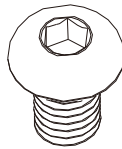


4MM HEX SPANNER

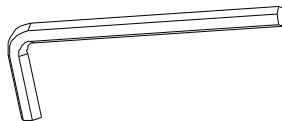




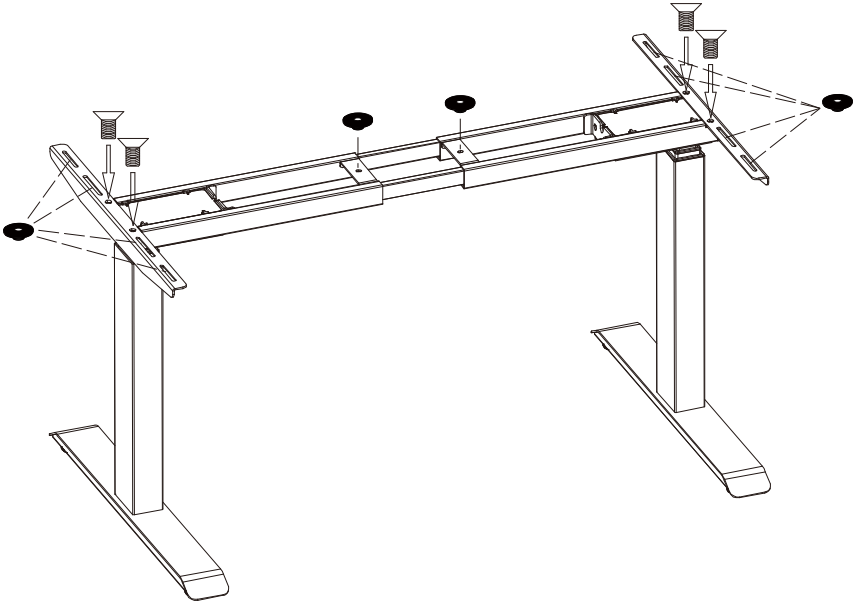
M6*14 SCREW 8PCS



4MM HEX SPANNER



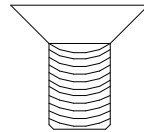
STEP 4



RUBBER CUSHION 10PCS



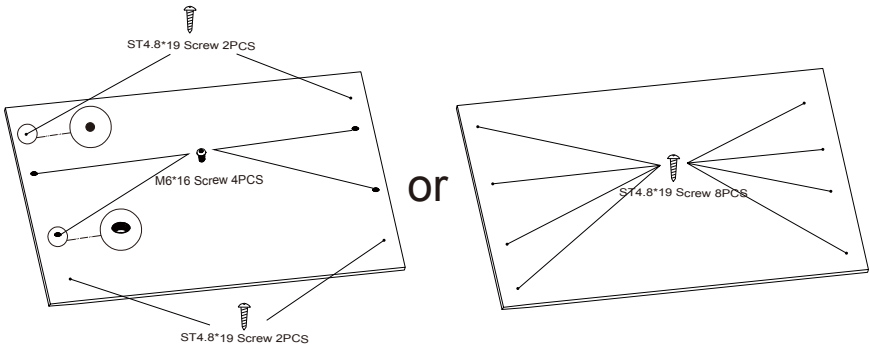
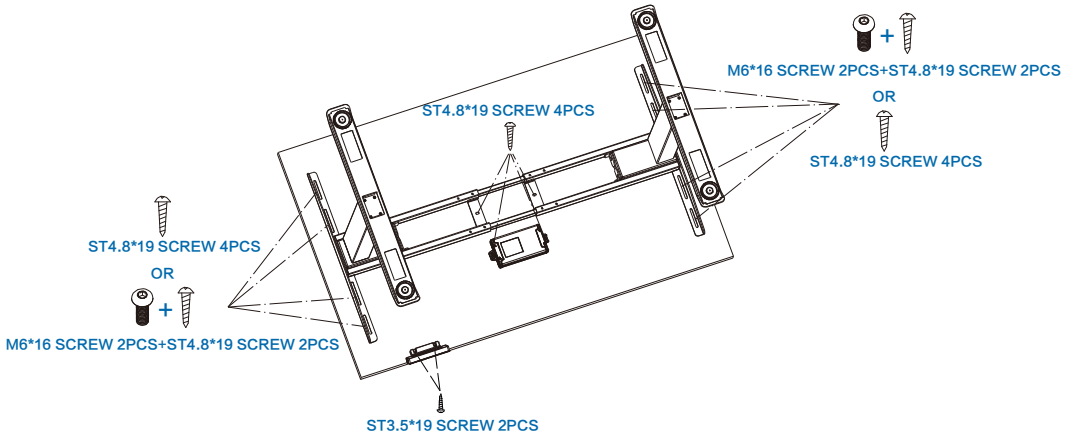
M6*12 SCREW 4PCS



4MM HEX SPANNER



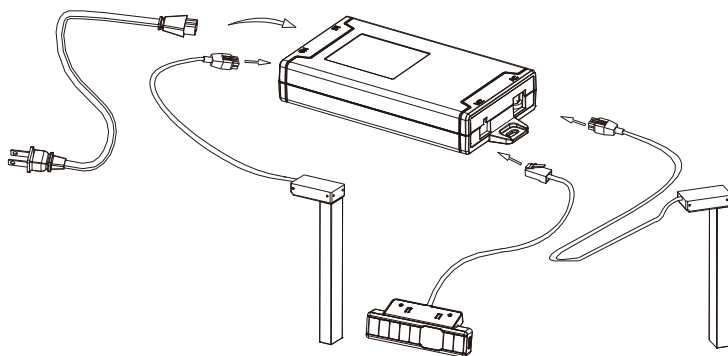
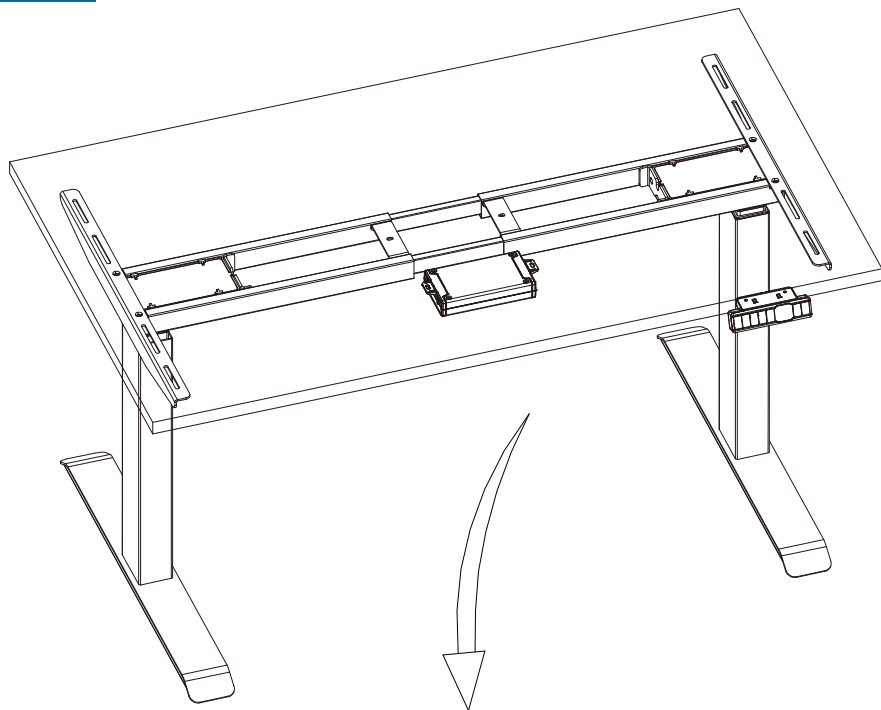
STEP 5



EN: Do not use ST4.8*19 screws for a table top that is thinner than 20 mm



STEP 6



MAX.
80
KG

ST3.5*19 SCREW 5PCS

CABLE CLIP

